



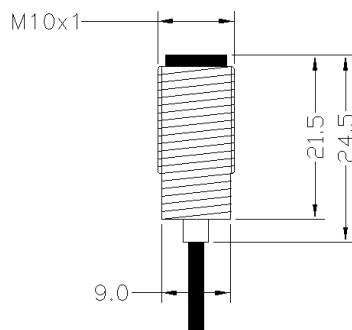
TELEMESS

- Measurement Technique
- Sensors
- Electronics Development
- Remote handling Technology

I-W-A Sensor

Description: A7

Part.-Id.: 2333-003130A00C



Technical Data

| | |
|--------------------------------------|--|
| Measuring range against Steel (St37) | 0 – 2,5mm |
| Sensitivity | 4V / mm |
| typ. Resolution | 1 µm |
| typ. Temperature stability | 0,02% /K /mr (10°C-90°C measured at 50% mr) |
| Length | approx. 24,5mm |
| Diameter | thread M10x1 |
| Sensor | wrench SW 9 |
| Weight | Sensor with integrated cable and standard plug ≈ 30g |
| Nut | wrench SW 14 |
| max. amb. Temperature | -20°C to +125°C |
| Sensor connection | axial with integrated connection cable 1,5m; standard plug |
| Optionally | axial with integrated connection cable 1,5m; watertight plug |
| Vibration | 5 - 500Hz, 5g (IEC 68-2 approved) |
| Shock | 40g, 11ms |
| Order No. with standard plug | 12007 |
| Order No. with watertight plug | 13007 |

Accessories: Extension cables in different length and versions
Accessories not included!

Typical values for steel. The measuring ranges may differ on other materials; mr = measuring range
The sensor consists of a stainless steel case (1.4571), with integrated coil casted in epoxy resin, radhard up to 10 kGy.
For operation, a signal conditioning unit is needed.

Subject to modifications

www.telemess.de