



## GREENBEAT R60

### Radar level transmitter

Continuous non-contact level measurement for liquids  
 Ultra-compact and fast sensor with focused emission  
 Range 0.1÷1.5 | 10 | 20 m  
 Protection rating IP67/IP68  
 MODBUS | 4÷20 mA | 2 x ON-OFF output  
 Configuration via Green Tools app for iOS and Android

Ultra-compact microwave unit for level measurement without contact on liquids. The high sampling frequency and narrow beam angle allow reliable measurement even in the presence of agitators, turbulence, vapors, and condensation. Process connection with 1" G thread. Housing entirely made of high-quality recycled PP (Moplen). Protection rating IP68 [1m 6h] for cable version and IP67 for connector version. Measurement ranges between 0.1 and 1.5m / 10m / 20m (pending).

### Technical Feature

**Housing material**

PP | PVDF

**Mechanical installation**

1" GAS M ( opt. flange, bracket)

**IP rating**

IP68

**Electrical connection**

M12 connector or integrated cable

**Power supply**

10÷30Vdc

**Output**

MODBUS | 4÷20 mA | 2 digitals

**Power consumption**

1,2W

**Max measure range**

1.5 | 10 | 20m

**Thermal stabilization**

1 minute (typical)

**Start Up time**

3 seconds (battery power supply)

**Blind distance**

0,1m

**Accuracy**

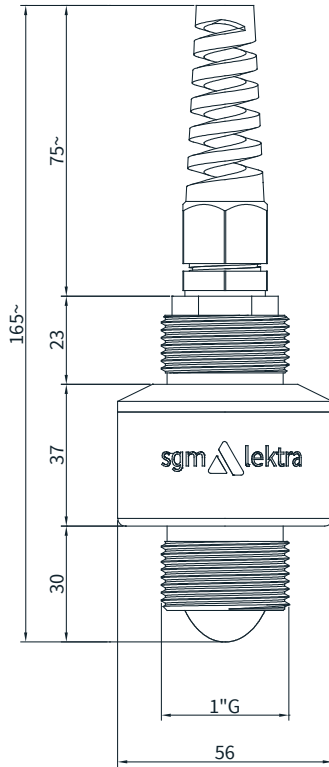
± 5mm on measurement

**Resolution of measurement**

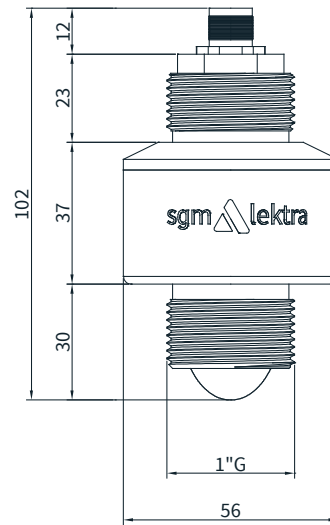
1mm

**Calibration and display**

Via iOS/Android App | MODBUS



IP68 integrated cable version



IP67 M12 connector version

**R60** GREENBEAT radar level transmitter  
 4-wire level transmitter for liquids  
 PCR microwave technology (57+64GHz)  
 Outputs: 4-20mA + 2 open collector  
 1" G threaded connections  
 Configuration via MODBUS or iOS/Android APP  
 IP67 housing with M12 connector or IP68 with integrated cable  
 Working temperature: -40°C ÷ +80°C

Measure range	
<b>015</b>	0,1+ 1,5 m
<b>100</b>	0,1+ 10 m
<b>200</b>	0,1+ 20 m >PENDING<
Housing material	
<b>G</b>	"GREEN" PP [Recycled polypropylene]
Power supply	
<b>A</b>	10+30Vdc
Output	
<b>1</b>	Analog 4+20mA + Digital nr. 2 open collector
Digital communication	
<b>M</b>	RS485 Modbus RTU
Wireless communication	
<b>B</b>	Bluetooth
Display	
<b>N</b>	None
Electrical connection	
<b>1</b>	Integrated cable / IP68
<b>2</b>	M12 8 pins connector / IP67
Cable length	
<b>A</b>	10m (only integrated cable)
<b>B</b>	15m (only integrated cable)
<b>C</b>	20m (only integrated cable)
<b>D</b>	30m (only integrated cable)
<b>Z</b>	Special

**MBLS** Mounting brackets for level sensors

Accessories	
<b>844A003A</b>	Wall mounting bracket in SS316 with 1" hole - L= 100 mm
<b>844A005A</b>	Wall mounting bracket in SS316 with 1" hole - L= 270 mm