

TS2000-CT

CONDUCTIVITY TRANSMITTER - SWITCH



Features

- SS-316 enclosure with high corrosion resistance
- IP-68 protection for harsh environments
- RS-485 (MODBUS RTU) communication
- 4–20 mA analog output
- Backlit LCD display
- Remote / Integral Sensor Connection



Technical Specifications

Performance Characteristics	
Type of Input	From Conductivity Electrode
Cell Constant	0.01 / 0.1 / 1
Calibration Range	Factory Calibrated 1 0 to 99.99 $\mu\text{S}/\text{cm}$ for cell constant 0.01
	2 0 to 999.99 $\mu\text{S}/\text{cm}$ for cell constant 0.1
	3 0 to 9999.99 $\mu\text{S}/\text{cm}$ for cell constant 1
Max. measuring span	9999.99 $\mu\text{S}/\text{cm}$
Min. measuring span	99.99 $\mu\text{S}/\text{cm}$
Power Supply	18-36V DC
Power Consumption	< 5W
Display	Local display LCD with backlit
Type of Output	4-20 mA
Alarm or Relay Output	1 Relay Output (Optional)
Communication Output	RS-485 MODBUS RTU (Optional)
Electronics Transmitter Accuracy	+/- 0.25% F. S.
Response Time	1Sec
Temperature Compensation	RTD PT-100
Isolation	1.4 KV between Input, Output & Power Supply
Sensor Connection	1) Remote 2) Integral
Electrical Connections	M12 Connector
Mounting	2" Pipe Mounting / Direct Line Mounting
Electronic Protection Class	Weather Proof IP-68
Electronics Enclosure	SS-316
Ambient Temperature	20°C to 70°C
Ambient Humidity	5 to 95% non-condensing at 25°C
Flow Through Assembly (Optional)	SS-316 / PP

TS2000-CT

CONDUCTIVITY TRANSMITTER - SWITCH



Assembly Overview

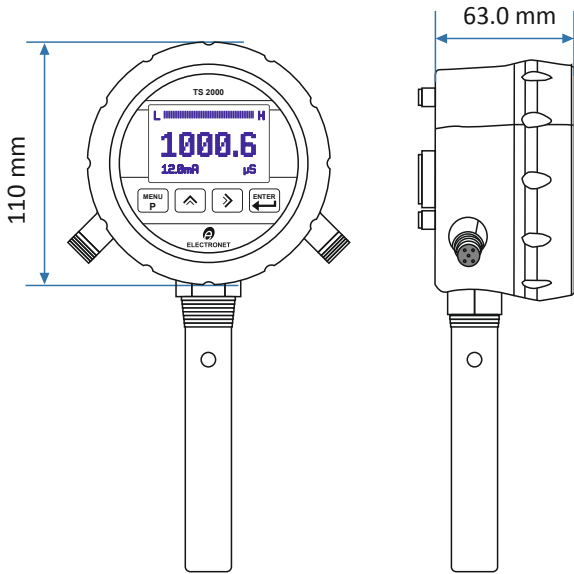


Fig. 1 Front View

Fig. 2 Side View

Connection Details

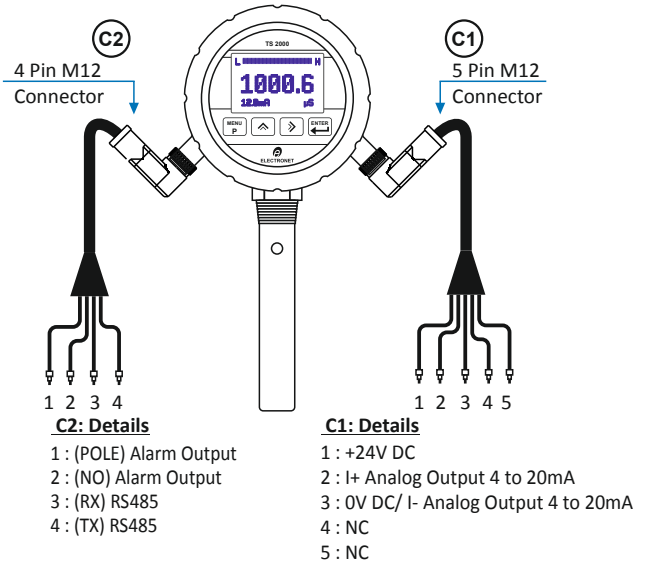


Fig. 3 Front View

Ordering Information

Sample Order Code : TS 2000 CT-A1-B1-C1

Parameter	Code	Description	Parameter	Code	Description	
A	Cell Constant	A1	Conductivity (Cell Constant 0.01) (5 to 100 micro simens)	B	B1	1 Relay Output
		A2	Conductivity (Cell Constant 0.1) (5 to 1000 micro simens)		BX	NA
		A3	Conductivity (Cell Constant 1) (100 to 10000 micro simens)	C	C1	Rs485 (MODBUS RTU)
		CX	NA			

Note :

- Due to our continuous product revisions, design specification and model numbers are subject to change without notice.
- Accuracy defined at Lab Conditions.
- For other requirement please consult factory.
- Sensor & other accessories to be ordered separately.
- This product is meant for laboratory/Process application only and not for custody transfer application.

ELECTRONET EQUIPMENTS PVT. LTD.

Registered Office:

Plot No. 84, 85, 86, Tiny Industrial Estate, Kondhwa Budruk, Pune-411 048, Maharashtra, India.

Factory Address:

Plot No. 8, (SEZ) Phase 1, Kesurdi MIDC, Khandala, Dist.- Satara Pin: 412 801, Maharashtra, India.

+91-20-26931476
+91 99229 31722
+91 99224 42183

ho@electronet.co.in
enquiries@electronet.co.in

www.eeplindia.com